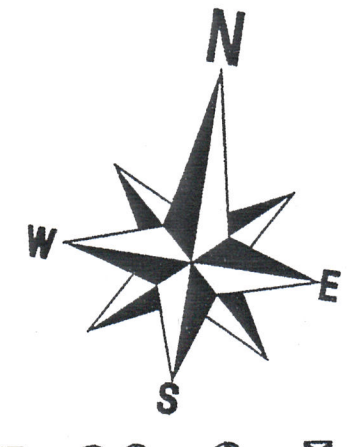


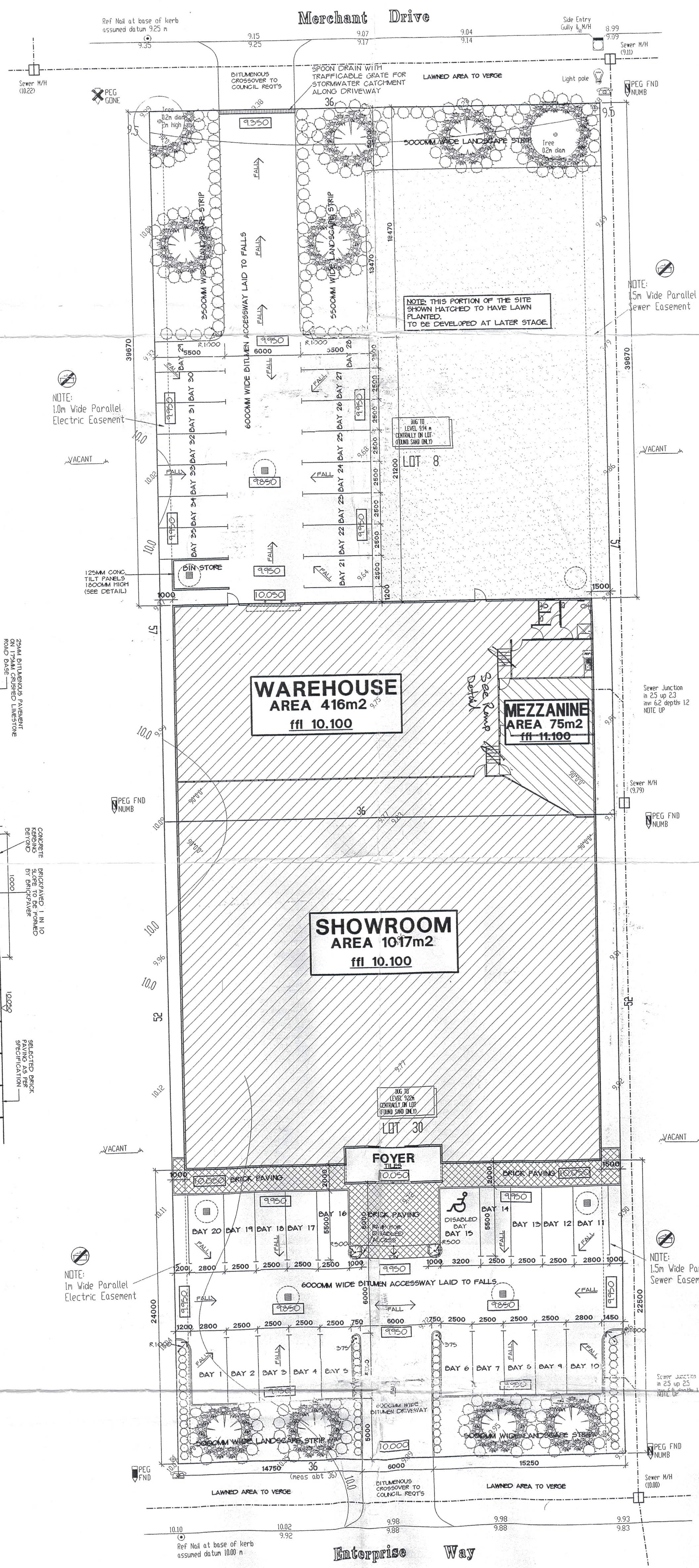
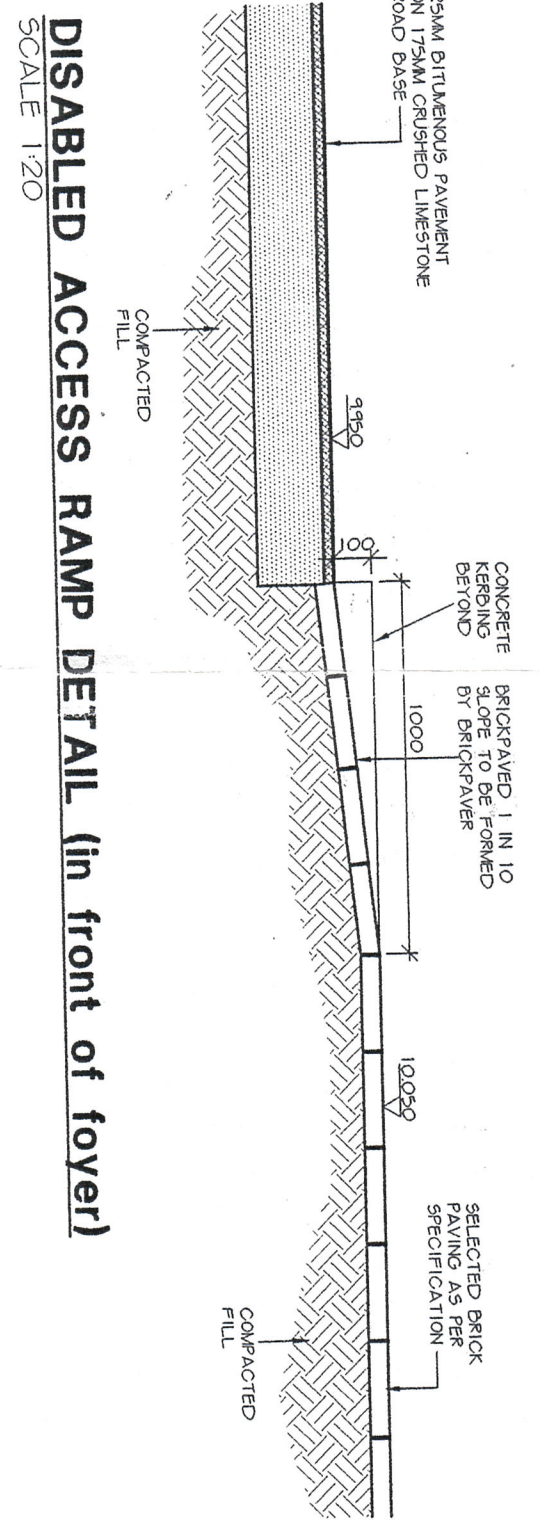
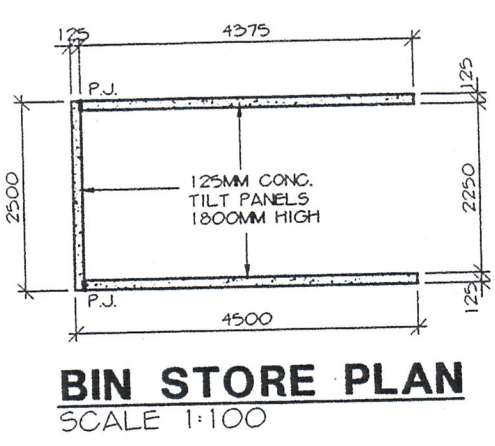
First State RETRA VISION Retail Showroom



LOT 30 & LOT 8

NOTE: LOT MISCLOSE (0.000 m)

SOIL DESCRIPTION
Sandy/Possible L'stone
Thick grass cover
5 small trees & 5 small B/bays



LANDSCAPE LEGEND

	MEDIUM TREES METROSIDEROS EXELSA (NEW ZEALAND CHRISTMAS BUSH)	45 LITRE BAG
	LOW SHRUBS COLONEMA ABBUM (DWARF DIOSMA)	200mm POTS
	GROUND COVERS K. PROSTRATA (SCARLETTA RUNNER)	200mm POTS

NOTE: EXTENT OF GROUND COVERS NOT SHOWN ON PLAN BUT GENERALLY TO BE PLANTED THROUGHOUT LANDSCAPE AREAS AT 1200 CTS

LANDSCAPE AREA TO BE GENERALLY COVERED IN "SOILS AINT SOILS" ENVIROMULCH OR SIMILAR APPROVED

LANDSCAPE NOTES:
BUILDER TO PROVIDE AN AMPLE PROVISIONAL SUM FOR LANDSCAPING IN ACCORDANCE WITH COUNCIL REQ'TS.

ALL LANDSCAPED AREAS MARKED ON DRAWINGS TO BE FULLY RETICULATED (INCLUDING LAWNED AREAS TO FRONT VERGE). RETICULATION TIMER TO BE LOCATED IN MAIN METER BOX.

SITE PLAN

- SCALE 1:200
- 11.511 DENOTES FINISHED GROUND LEVELS.
 - DENOTES RETAINING WALLS. CONFIRM EXTENT ON SITE. CONSTRUCTION IN ACCORDANCE WITH ENGINEER'S DRAWINGS.
 - ALL CARBAYS ARE TO BE CLEARLY MARKED IN AN APPROVED WHITE REFLECTIVE PAINT.
 - ALL DISABLED BAYS ARE TO BE CLEARLY MARKED AND SIGN POSTED IN ACCORDANCE WITH "ACROD" REQUIREMENTS.
 - WHERE BITUMENOUS AREAS MEET BRICK PAVED AND LANDSCAPED AREAS, 100MM HIGH CONCRETE KERBING IS TO BE CONSTRUCTED.
 - ALL AREAS MARKED AS BITUMEN OR BITUMENOUS ARE TO BE CONSTRUCTED FROM 25MM BITUMENOUS PAVEMENT ON 175MM CRUSHED LIMESTONE ROAD BASE.

CITY OF ROCKINGHAM
PARKS & GARDENS
APPROVED
8 OCT 2001

APPROVAL DATED 8/10/01
INITIALS [Signature]

SITE ANALYSIS:

SITE AREA-	3924m ²
1017m ² SHOWROOM	22 CAR BAYS
75m ² MEZZANINE	2 CAR BAYS
416m ² WAREHOUSE	9 CAR BAYS
TOTAL N.L.A.	1508m²
	33 CAR BAYS
ACTUAL CAR BAYS 35 CAR BAYS	

COTTAGE & ENGINEERING SURVEYS
Licensed Surveyors

WA 219 ONSLOW ROAD, SHERIDAN PARK, 6008
Telephone 381 6271 Fax 382 2933 4122
401 111 Leighton Road, Rockingham WA 6068
08/07/98 07/3888 7248 Fax (08) 3888 7149

L/N: 0102823D DATE: 18/04/01 SCALE: 1:200
FR/M: S. Singh

Peter Robinson
the zorzi group

Scale 1:200
Date: 31 OCT 2001

VARIANTS AMENDMENTS

REV	DATE	DESCRIPTION
REV A	23/06/01	ISSUED FOR BUILDING LICENSE APPLICATION
REV B	31/10/01	AMENDED DRAWING

CLIENT: RETRA VISION FOR RETRAVISION

JOB ADDRESS: LOT 30 ENTERPRISE WAY AND LOT 8 MERCHANT DRIVE ROCKINGHAM

SITE PLAN

SCALE: AS SHOWN
DATE: APRIL 2001
SHEET 1 OF 6

CITY OF ROCKINGHAM
AMENDED DRAWING
DATE: 31 OCT 2001